



ML5000 Series Digital Cam Locks

ASSA ABLOY

The global leader in
door opening solutions

ASSA ABLOY in brief

ASSA ABLOY is the global leader in door opening solutions, dedicated to satisfying end-user needs for security, safety and convenience.

ASSA ABLOY is represented in all major regions, on both mature and emerging markets, with leading positions in Australia and much of Europe and North America. In the rapidly growing electromechanical security sector, the Group has a leading position in fields such as electromechanical products, access control, identification technology, automatic doors, commercial, government and institutional security.

Since its founding in 1994, ASSA ABLOY has grown from a regional company to an international group. As the world's leading lock group, ASSA ABLOY offers a more complete range of door opening solutions than any other company on the market.

ASSA ABLOY Australia

Local manufacturing

ASSA ABLOY Australia has long been developing innovative electromechanical products. We focus on extensive market research, developing products that exceed market demands.

ASSA ABLOY Australia boasts a precision manufacturing facility and innovative design centre in Melbourne.

Extensive product range

ASSA ABLOY Australia offers one of the most comprehensive electromechanical product ranges in the Australian market today. We specialise in supplying door solutions for all market segments and industries. Our range includes electromechanical solutions for almost any application.

Premium quality and reliability

Our product range is designed and manufactured to surpass the highest Australian and international standards. The Melbourne manufacturing facility includes a state-of-the-art NATA accredited test laboratory. This ensures the undisputed quality and reliability known on the market today.



ML5000 Series Digital Cam Locks

ASSA ABLOY's new digital cam lock range is now the industry benchmark. The ML5000 Series has been developed for the most demanding government, commercial and institutional organisations.

There are two variations to choose from, Digital PIN Keypad or RFID, offering a range of features in both that meet the requirements of lockers in a range of applications such as:

- Schools
- Offices
- Leisure centres
- Sports clubs
- Health clubs

Both Digital PIN Keypad and RFID variants are available in models that can be easily mounted; vertically or horizontally to suit your locker design.

ASSA ABLOY's digital cam locks offer safety security and convenience for your lockers and their contents.

Features:

- Attractive slim line design
- Battery status LED
- Lock status LED
- Standard Alkaline batteries, 3 x AAA
- Micro USB battery back up
- Suits doors up to 23mm thick
- 3mm thick stainless steel cam

Digital PIN Keypad Features:

- 4-12 digit Master PIN
- 4-12 digit User PIN
- Private Code or Public Change Code Mode (similar to hotel safe)
- Sound Mode - On or Off
- Temporary wrong code lockout

RFID Features:

- Supported RF type: 13.56MHz ISO14443A MIFARE Classic, Ultralight, DESFireEV1
- Accepts up to 20 Administration Cards, 20 Master Cards and 20 User Cards per lock



ML52RA - RFID Functions

RFID Version

Administration RFID Card

- Unlocks the Digital RFID cam lock (Deletes current User RFID Cards)
- Allows the cam lock to be changed between Private and Public Mode
- Registers User Cards, Master Cards and other Administration Cards

Master RFID Card

- Lock and unlocks on Private Mode
- Retains current User RFID Card information whilst in Private Mode
- Master RFID Cards can only be used in Private Mode

User RFID Card

- Locks and unlocks the cam lock

Private Mode

- The cam lock starts in a locked state
- Unlock the cam lock by flashing a registered User RFID Card to the front of the cam lock
- The cam lock will remain unlocked for 4 seconds before attempting to re-lock itself. The turn knob will be locked when returned to the locked position


Public Mode

- The cam lock starts in an unlocked state
- The user flashes a registered User RFID Card on the cam lock, the cam lock is now locked
- The same RFID card will open the lock and leave it in an unlocked state
- This card is then erased and ready for the next new user
- This function is used for short term, multi occupancy applications e.g. A locker in a fitness club



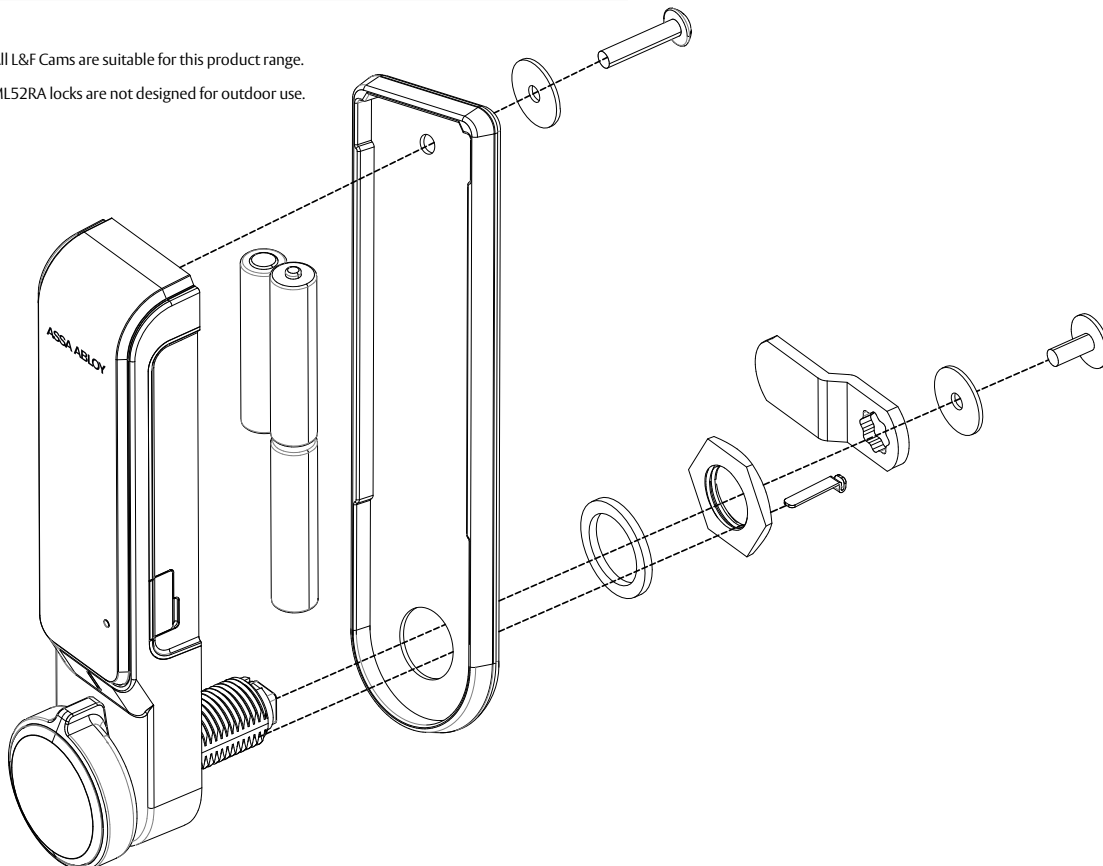
ML52RA - RFID Specifications

Product Details

Part Number	ML52B00001 - ML52RA RFID Horizontal or Vertical AA/ACC/USERCARD - RFID Cards (Pack = 10)
Size	158mm (High) x 40mm (Wide) x 23mm (Deep, Body), 31mm (Deep, Knob)
Material	Die-cast (Body & Knob), ABS (Front)
Operating	Temperature: -20°C ~ + 70°C Humidity: 0~90%
Credential Levels	Administration: 1-20 RF Tags Master: 1 - 20 RF Tags User: 1 - 20 RF Tags
RFID Type	13.56 MHz ISO14443A MIFARE Classic (2 cards per lock included), Ultralight, DESFireEV1
Battery / Life	3 AAA Alkaline Batteries 1 Year (Using 10 times a day)
Salt Spray	Tested to 96 hours
Compliance	
Door Thickness	1 - 23 mm
Cams	2 x Standard 3mm thick stainless steel cams supplied one straight cam, one offset cam. See page 9 for dimensions



- Note:**
- All L&F Cams are suitable for this product range.
 - ML52RA locks are not designed for outdoor use.



ML51PA - Digital PIN Keypad Functions

Digital PIN Keypad Version

Master Code

- Unlocks the cam lock (the cam lock will remain opened after use with the Master PIN Code)
- Enables changing the Master PIN Code
- Enables changing the User PIN Code
- Deletes the User PIN Code automatically

User Code

- Unlocks the cam lock (automatically locks within 4 seconds in Private Mode)
- Enables changing the User Code

Private Mode

- The cam lock starts in a locked state
- Open the cam lock by using a registered PIN code on the front keypad
- The cam lock will remain unlocked for 4 seconds before attempting to re-lock itself. The turn knob will be locked when returned to the locked position

Public Mode

- The cam lock starts in an unlocked state
- The user enters their own personal 4-12 digit PIN code, this will lock the cam lock
- Unlock the cam lock by using the same PIN code again. This leaves the cam lock in the unlocked state
- This PIN code is then erased and ready for the next new user
- This function is used for short term, multi occupancy applications e.g. Locker in a fitness club



ML51PA - Digital PIN Keypad Vertical Specifications

Product Details

Part Number ML51B00001 - ML51PA Digital PIN Keypad Vertical

Size 158mm (High) x 40mm (Wide) x
23mm (Deep, Body), 31mm (Deep, Knob)

Material Die-cast (Body & Knob), ABS (Front)

Operating Temperature: -20°C ~ +70°C
Humidity: 0-90%

Credential Levels Master: 1 PIN code, 4-12 digit
User: 1 PIN code, 4-12 digit

Battery / Life 3 AAA Alkaline Batteries
1.5 Years (Using 10 times a day)

Salt Spray Tested to 96 hours

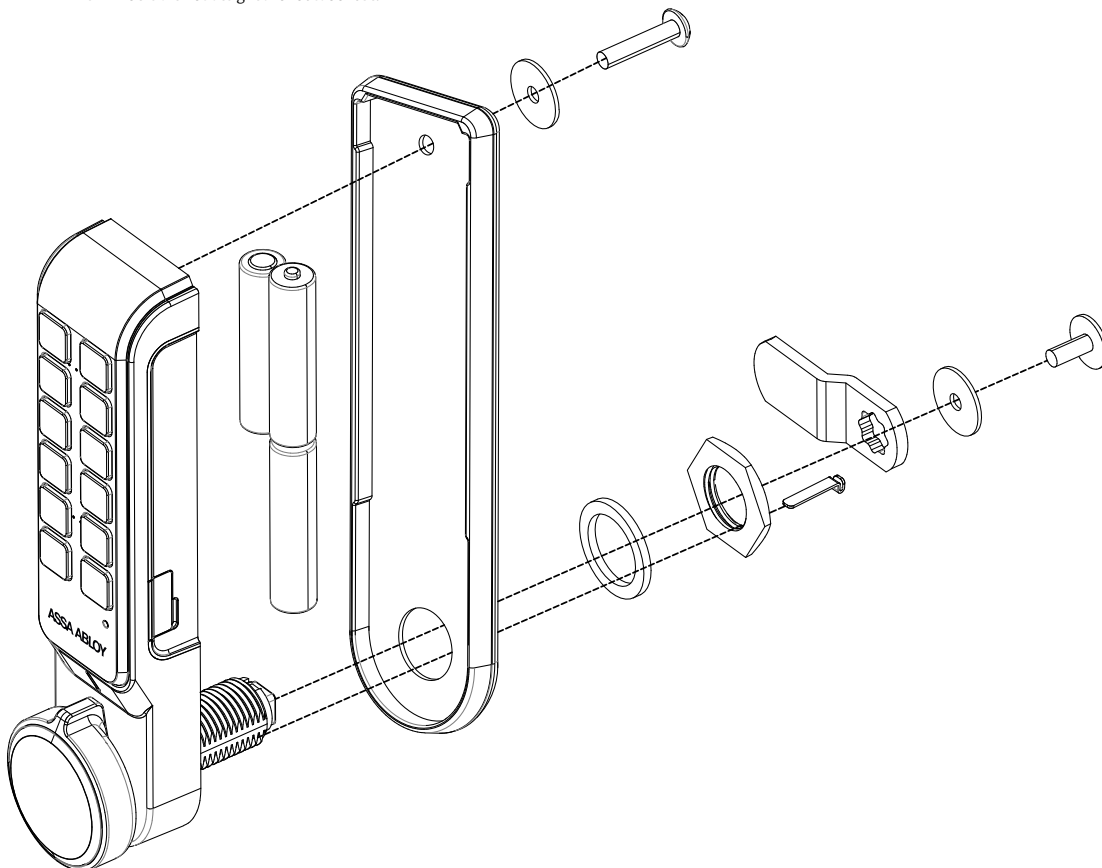
Compliance 

Door Thickness 1 - 23mm


Cams 2 x Standard 3mm thick stainless steel cams
supplied one straight cam, one offset cam.
See page 9 for dimensions



- Note:**
- All L&F Cams are suitable for this product range.
 - ML51PA locks are not designed for outdoor use.



ML51PA - Digital PIN Keypad Horizontal Specifications

Product Details	
Part Number	ML51B00002 - ML51PA Digital PIN Keypad Horizontal (Right Hand)
	ML51B00003 - ML51PA Digital PIN Keypad Horizontal (Left Hand)
Size	158mm (High) x 40mm (Wide) x 23mm (Deep, Body), 31mm (Deep, Knob)
Material	Die-cast (Body & Knob), ABS (Front)
Operating	Temperature: -20°C ~ + 70°C Humidity: 0-90%
Credential Levels	Master: 1 PIN code, 4-12 digit
	User: 1 PIN code, 4-12 digit
Battery / Life	3 AAA Alkaline Batteries
	1.5 Years (Using 10 times a day)
Salt Spray	Tested to 96 hours
Compliance	
Door Thickness	1 - 23mm
Cams	2 x Standard 3mm thick stainless steel cams supplied one straight cam, one offset cam. See page 9 for dimensions

- Note:**
- All L&F Cams are suitable for this product range.
 - ML51PA locks are not designed for outdoor use.



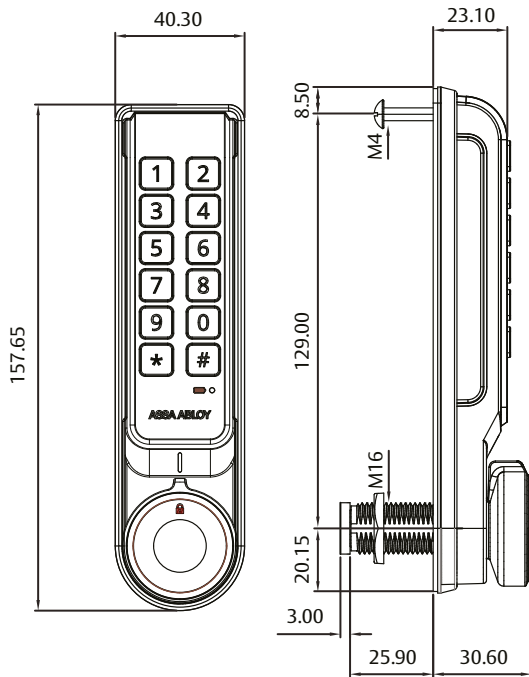
Digital PIN Horizontal (Right Hand)



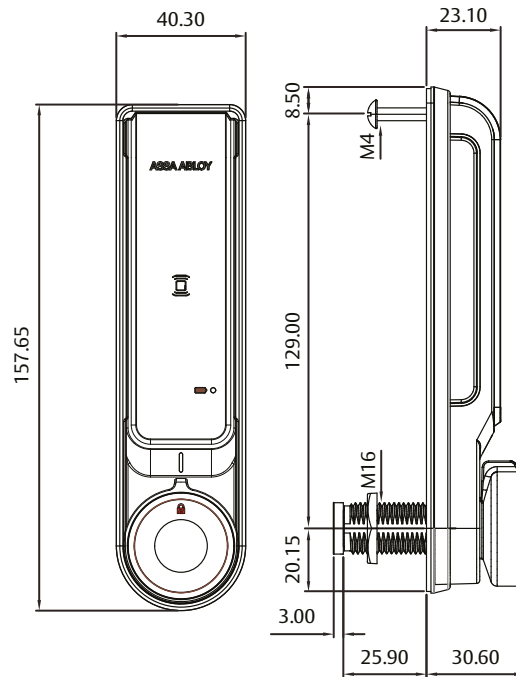
Digital PIN Horizontal (Left Hand)

Digital Cam Lock Dimensions

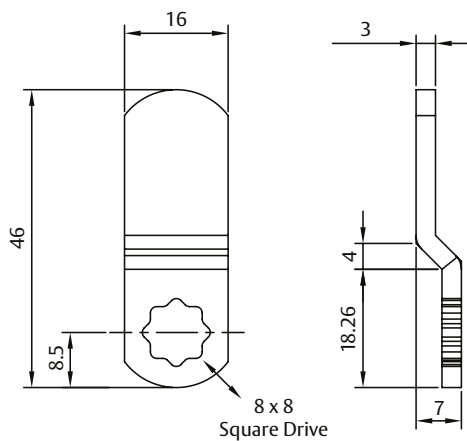
ML51B00001 - ML51PA Digital PIN



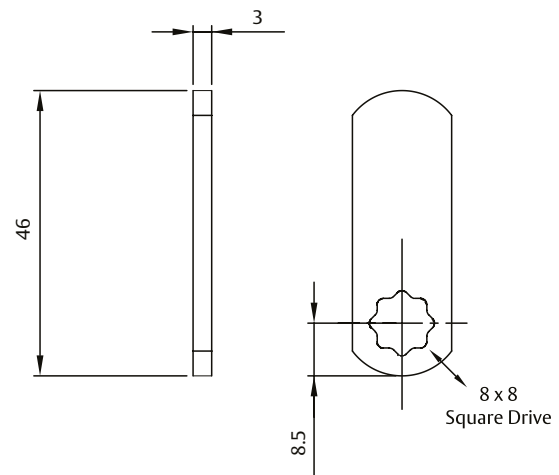
ML52B00001 - ML52RA RFID



Offset Cam



Straight Cam



Note: Both the offset and straight cam are included with all cam locks.
All dimensions in millimeters.

ASSA ABLOY is the global leader in door opening solutions, dedicated to satisfying end-user needs for security, safety and convenience.

ASSA ABLOY is represented in all major regions, in both mature and emerging markets, with leading positions in Australia, Europe and North America.

As the world's leading lock group, ASSA ABLOY offers a more complete product range of door opening solutions than any other company on the market.



The ASSA ABLOY 10 Year Mechanical Warranty

Our belief that we manufacture the finest premium products available in today's market place is backed by the ASSA ABLOY 10 Year Mechanical Warranty, ensuring that ASSA ABLOY continues to keep Australians safe by delivering security and peace of mind.

For warranty terms and conditions, please visit

www.assaabloy.com.au or call **1300WARRANTY**

Head Office

ASSA ABLOY Australia Pty Limited
235 Huntingdale Road
Oakleigh Victoria 3166
Australia
+61 1300 562 587

www.assaabloy.com.au

Disclaimer

Whilst every effort has been made to ensure that the information (including product images and drawings) contained in this brochure is accurate at the time of publication, ASSA ABLOY Australia Pty Limited ("ASSA ABLOY") recommends that you consult ASSA ABLOY or its agents prior to placing an order to ascertain current information on specific products, as ASSA ABLOY reserves the right to make changes without notice. ASSA ABLOY will not be liable for any injury, loss or damage whatsoever, arising from any errors or omissions in the information contained in the brochure or arising from the use or application of the information contained herein. © 2018 copyright by ASSA ABLOY All rights reserved

